

The following is a full disclosure of an alternative method to production of electrical energy. Details are now a matter of "Public Domain" and record for all entities to manufacture, market, modify, profit from, and utilize for personal and private uses for all needs great and small. Files are in ".bmp" & ".tiff" FAX compressed format.

- Titled: "the Magnetic Motion Device" (M.M.D.)
- Invented by: Mr. Arthur Joseph Coté on May 7, 1989
- eMail: daedalus.maelstrom@gmail.com

Many variations in design can be made. Here are a few to consider:

- 1.) Adding additional "Armatures" to the "Axle" assembly and additional "Pods" along the length of the "Armatures" can greatly enhance output.
- 2.) The M.M.D. can be submerged and vacuum sealed and horizontally centered in a vertical conical vat of oil or mercury in order to add a fluid vortice dynamic to stabilize the revolutions.
- 3.) Excessive heat produced from the constant vortice dynamic can be piped to an exterior radiator for cooling.
- 4.) Heat as a byproduct of the vortice can be an energy tapped for use.
- 5.) PSI as a byproduct of the vortice is another source of energy to tap for use as it is self-pumped to the exterior radiator.
- 6.) Micro coils can be manufactured into the "Pods" from the generator vis the axle to add additional stabilization to the integrity of the magnetic flux.
- 7.) Transistors can be used with crystals in a pyramid circuit to produce a simultaneous spherical output. All crystals within the same row on the pyramid circuit would need to be the same frequency and all wire in each row to be the same length. (ref. "Piezo Effect")
- 8.) The "Pods" attached to the ends of the "Armatures" as well as the stationary magnets positioned on either side of the interior channel can be manufactured with a liquid hydrogen or liquid nitrogen to achieve superconductivity. (ref. "Meisner Effect")
- 9.) Another configuration of magnets as used in Mag-Lev trains can be used to propel the "Armatures" or as an asisst from the underside of the "Pod" as it travels in the "Magnetic Channel". (ref. "Halbach Array")

_____There are many ways to incorporate other energy producing physics into the engine.

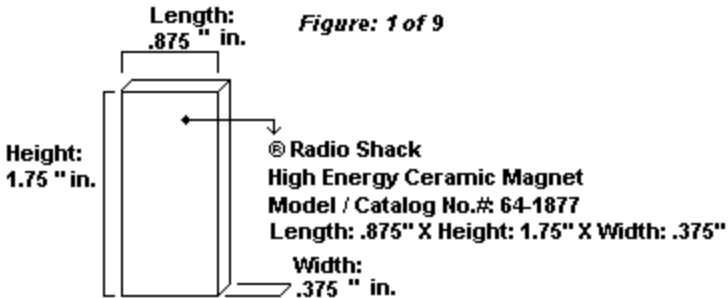
Here are some ideas for a cheap manufacture of the "M.M.D." engine at home:

- 1.) CoolChem glue available at www.coolchem.com can be used to bond parts together.
- 2.) Home Depot carries aluminum rods which can be used for the "Armatures".
- 3.) The "Axle" assembly can be made of a front hub from a bicycle.
- 4.) A 55 gallon drum barrel can be cut to provide the circular base which all stationary magnets will be attached to create the "Magnetic Channel" that will propel the "Pods"

_____Perpetual Motion is the future of engine manufacture.

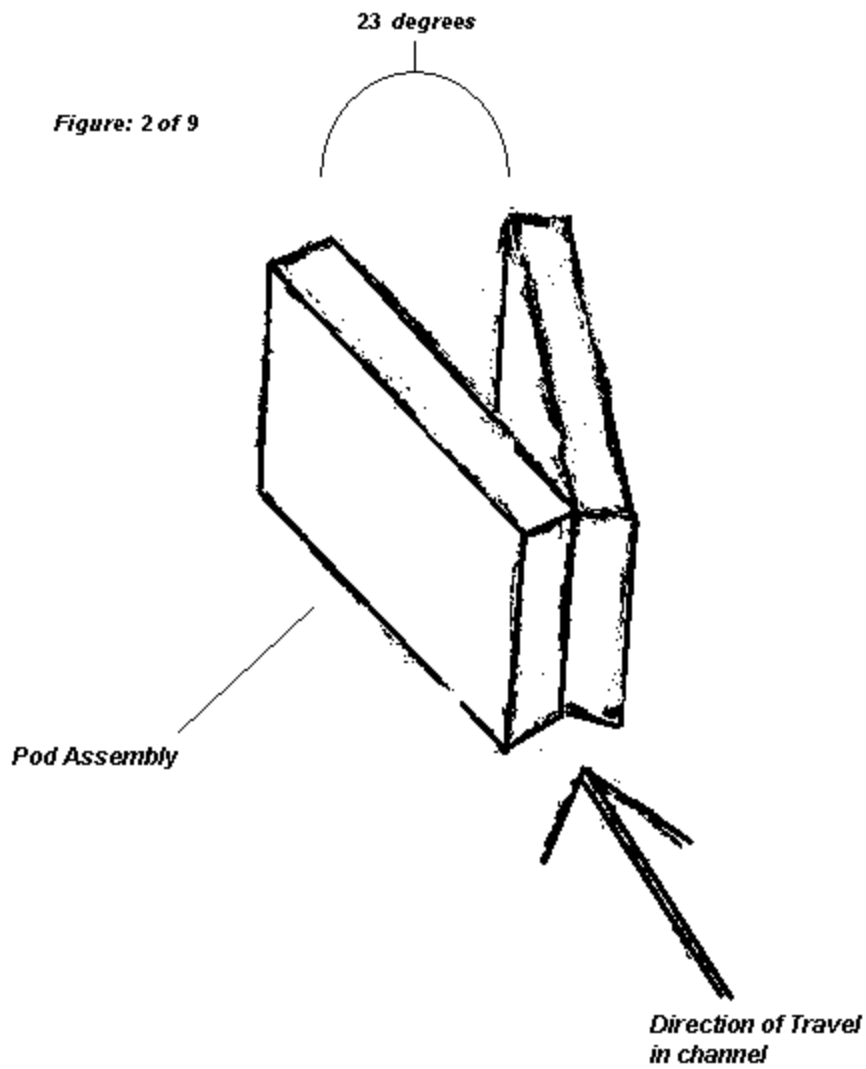
Who will be first to grab the market by storm? Who will be the next Big Fortune 500 in the Perpetual Motion engine market? "The Race is ON!"

the Magnetic Motion Device (M.M.D.)



the Magnetic Motion Device (M.M.D.)

Figure: 2 of 9



the Magnetic Motion Device (M.M.D.)

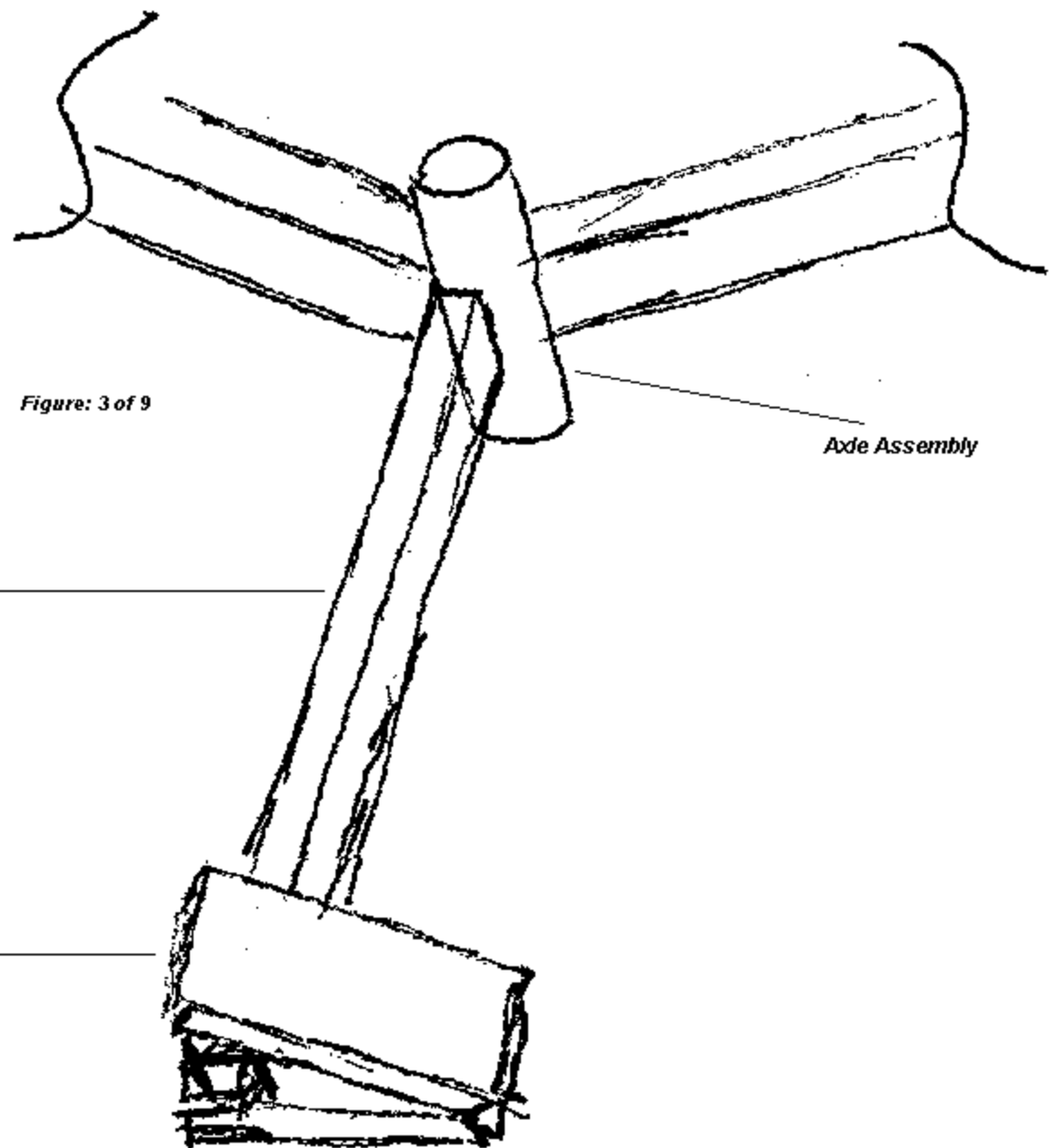


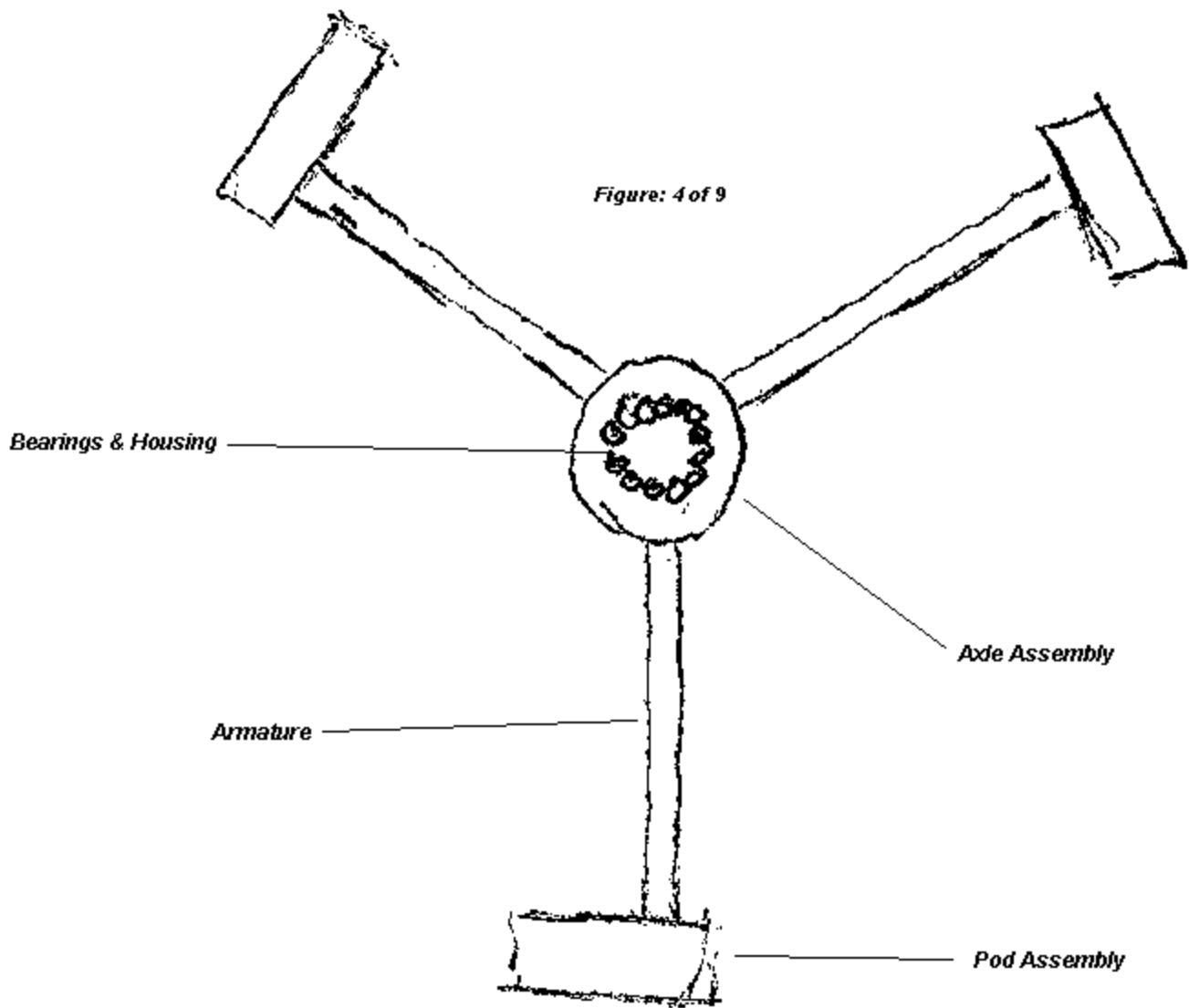
Figure: 3 of 9

Armature

Axle Assembly

Pod Assembly

the Magnetic Motion Device (M.M.D.)



the Magnetic Motion Device (M.M.D.)

*Positioned to create a
"channel" of magnetic flux
at 45 degrees*

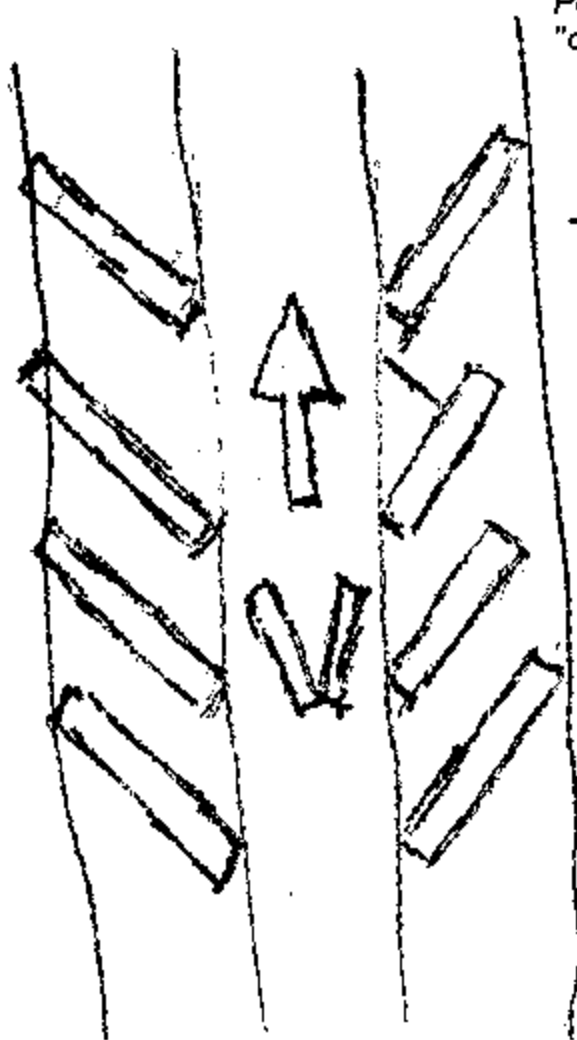


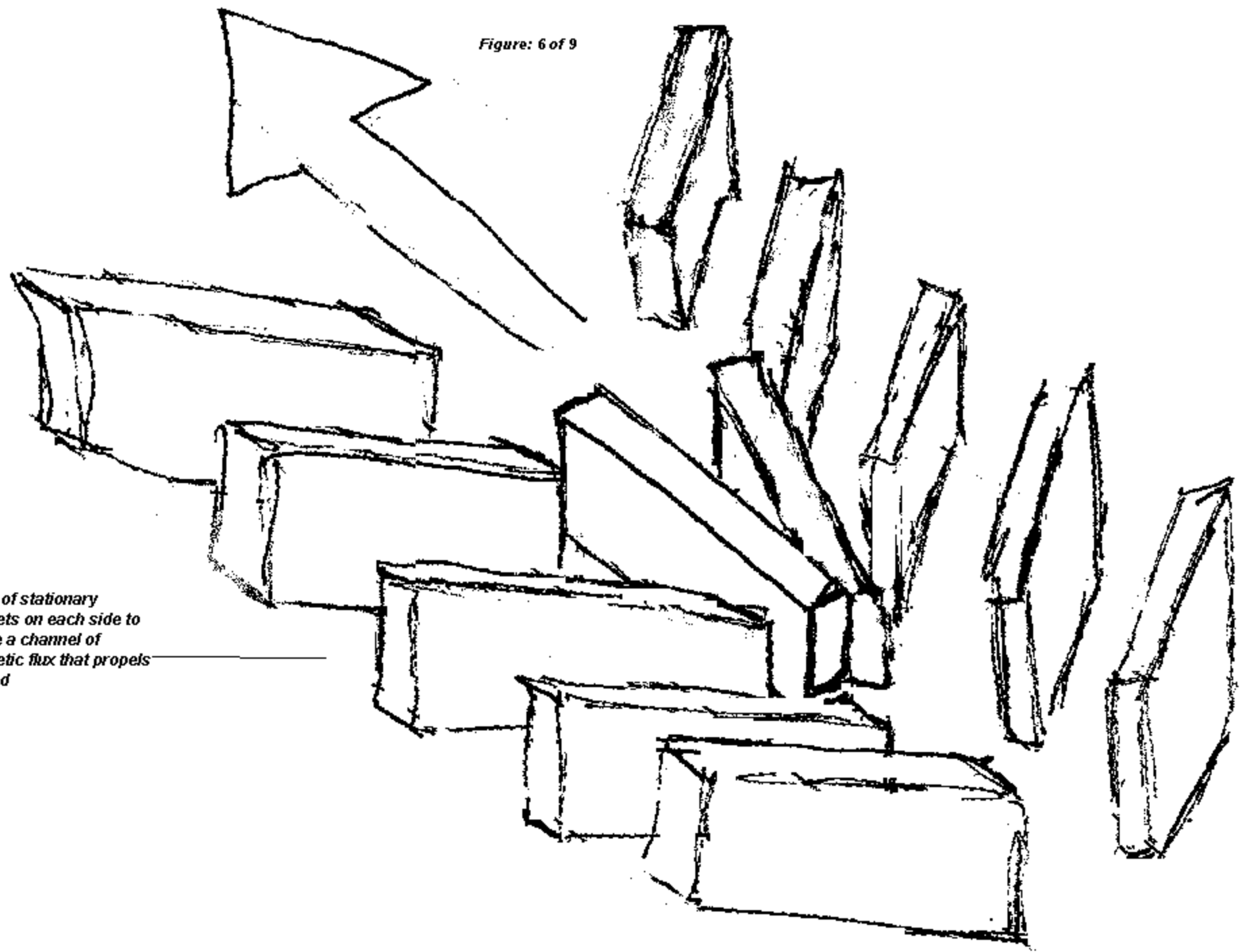
Figure: 5 of 9

*Direction of travel for
Pod inside of the
magnetic channel of
flux*

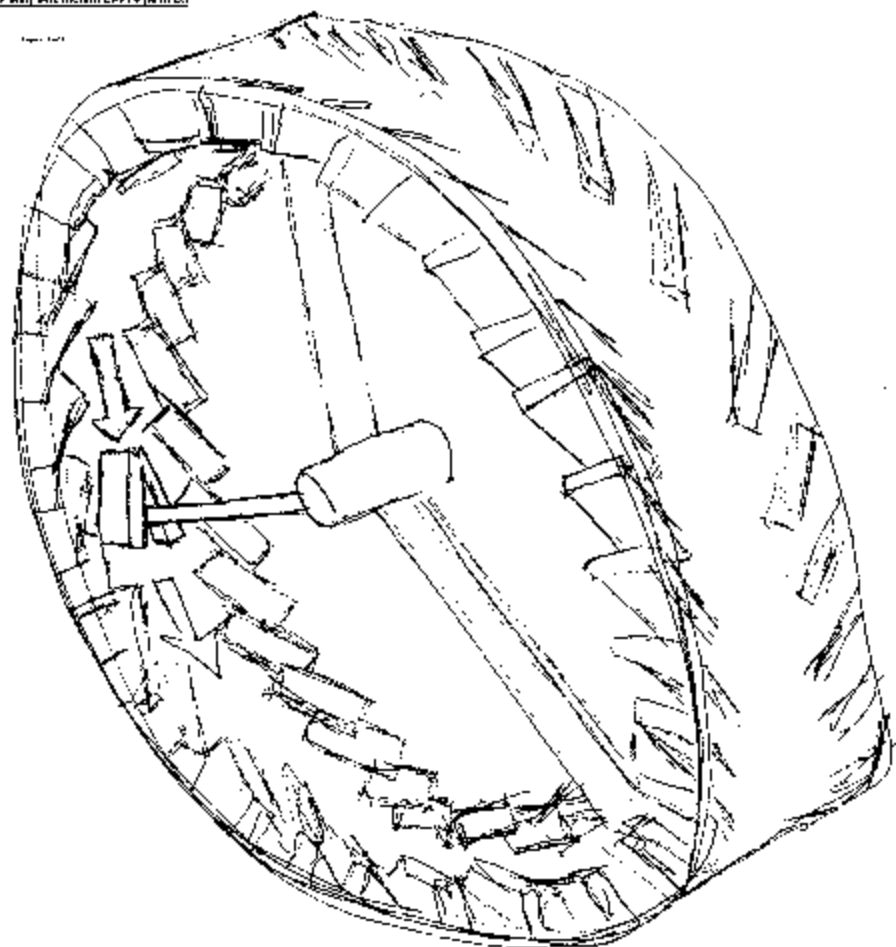
the Magnetic Motion Device (M.M.D.)

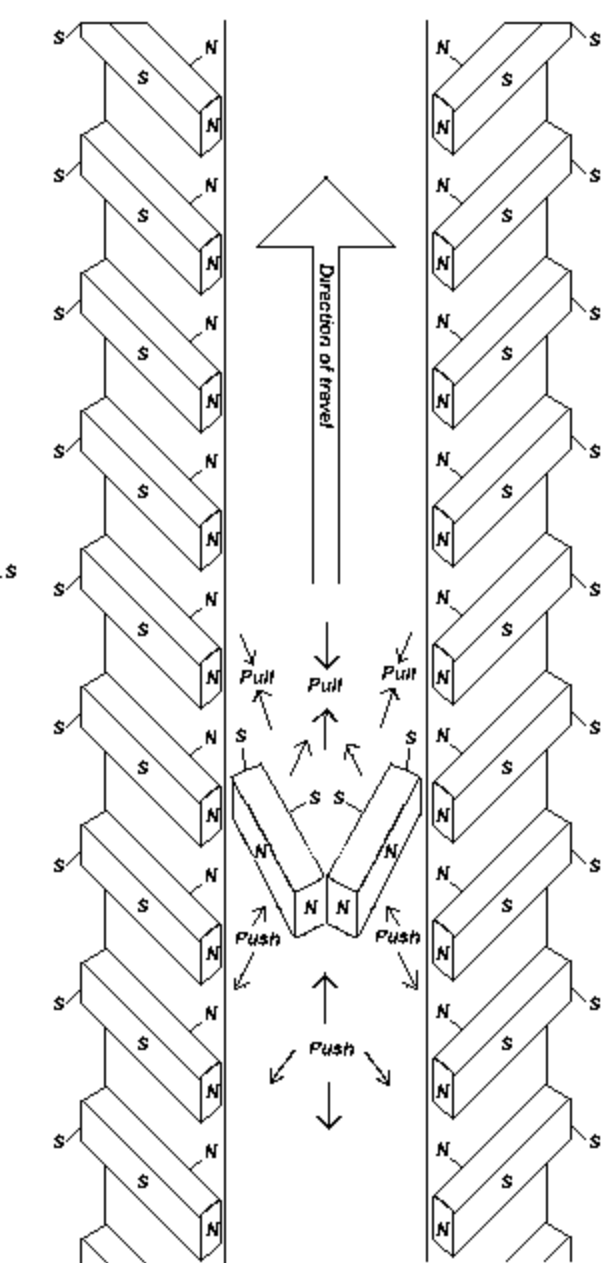
Direction of travel

Figure: 6 of 9



Array of stationary magnets on each side to create a channel of magnetic flux that propels the pod





Spherical Output Circuit

- 1.) Each row of crystals must be rated at the same frequency.
- 2.) Wires in each row must be equal in length.
- 3.) Final row will wrap around sphere at arcs of space apart.
- 4.) Each row of crystals must all divide equally to next row.
- 5.) All leads in top row connect in spherical array for simultaneous output

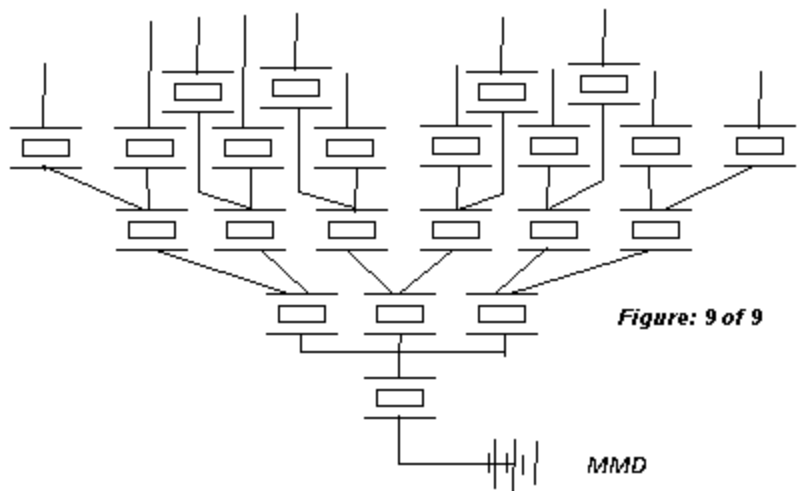


Figure: 9 of 9

MMD

Over the years since I first invented the idea in 1989 May 7, I have attempted to contact every US Senator by eMail on more than one occasion, Congressman, Think Tanks, Physicists, News Stations, etc. The list goes on whether it was a phone call or an eMail.

The US Patent Office will not issue Patents for this kind of invention.

If the citizenry of the world has in the public domain knowledge to manufacture self regulating, self contained, self producing, maintenance free, electricity either AC or DC; then current powers that be, which struggle for a dominating form of governance and control have NO leverage of influence or manipulation.

I guess from now on we will all just have to learn how to get along or kill each other until there is no man left.

It is my intention to see the motivations of men to now change from the greed of wealth to the greed of righteous actions.

I will continue to seed on and off.

"A D.ark M.are I ride, Tip my Balance, and what Future may Abide?

"I Am the Writing Daedalus.Maelstrom Am I"

Now the choice is yours.

Ubuntu!

